



## Formadora de Copos, Potes e Tampas de Papel para Delivery, Food Service & Fast Food

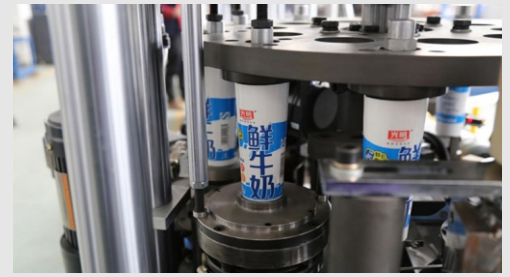
Com as máquinas EasyCup você pode fabricar diversas opções de copos, potes e tampas de papel para alimentos e bebidas quentes e frias com uma grande variedade de materiais e estampas oferecendo aos clientes a opção perfeita às suas necessidades. Se deseja maximizar as oportunidades de sua marca, pode criar impressões personalizadas para Delivery, Food Service & Fast Food.

A linha EasyCup vem de encontro com a política e consciência ecológica do nosso planeta, garantindo a sustentabilidade. Chegou a hora de jogar os copos de plásticos e isopor fora, com a EasyCup sua empresa será capaz de produzir copos, potes e tampas de papel feitos com materiais resistentes, impermeabilizantes e biodegradáveis.

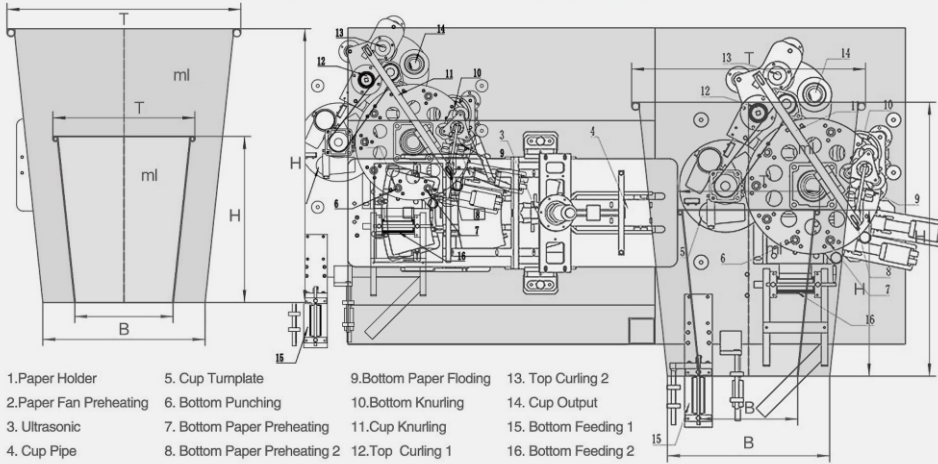
As EasyCup são equipamentos de alta durabilidade, econômicos e de simples operação para automatização na produção, ideais para empresas que desejam iniciar ou ampliar sua capacidade produtiva no segmento de embalagem, atendendo clientes exigentes com qualidade e segurança.

# EASYCUP





# EASYCUP



Model	120D	90D	80D
Paper cups specifications	4-16oz (100-450ml)(mold exchangeable) T:55-85mm H:60-135mm B:55-70mm	4-16oz (100-450ml)(mold exchangeable) T:55-90mm H:60-135mm B:55-60mm	4-16oz (100-450ml)(mold exchangeable) T:55-85mm H:60-135mm B:55-70mm
Air supply requirement	0.5-0.8MPa, 0.4cbm/min	Air pressure: 0.4 Mpa, Air Out-put: 0.6cbm/min	0.5-0.8MPa, 0.4cbm/min
Paper specification	190-350 GSM single/double PE coated paper	4-160 GSM single/double PE coated paper	150-350 GSM single/double PE coated paper
Production capacity	90-120 pcs/min	60-90 pcs/min	60-80 pcs/min
Voltage	220V/380V	220V/380V	220V/380V Customized service is available
Total Power	10KW	7.5KW	7KW
Total Weight	3500KG	2800KG	3000KG
Dimensions	2600mmx1600mmx1850mm	2520x1350x1750mm	2800mmx1300mmx1850mm
Model	65DML	65D	65
Paper cups specifications	20-35oz (150-1500ml)(mold exchangeable) T:55-150mm H:35-110mm B:50-125mm	8-35oz (200-1000ml)(mold exchangeable) T:55-115MM H:60-130MM/60-170MM B:55-80MM	2-12OZ (50-350ml) (mold exchangeable) T:50-105mm H:50-120mm B:35-75mm
Air supply requirement	Air pressure: 0.5-0.8Mpa, Air Out-put: 0.4cbm/min	Air pressure: 0.2Mpa, Air input: 0.4cbm/min	Air pressure: 0.4Mpa, Air input: 0.6cbm/min
Paper specification	150-350 GSM single/double PE coated paper	200-350 GSM single/double PE coated paper	140-350GSM
Production capacity	50-65 pcs/min	50-65 pcs/min	60-65pcs/min
Voltage	220V/380V	220V/380V	220V/380V
Total Power	8.5KW	2.5KW	6KW
Total Weight	3000KG	1000KG	2800KG
Dimensions	2180mmx1400mmx1700mm	2500mmx1200mmx1500mm	2650mmx1200mmx1700mm
Model	60D	55D	50
Paper cups specifications	2-12oz (50-350ml)(mold exchangeable) T:50-105mm H:50-120mm B:35-75mm	2-12 OZ (50ml-350ml) (mold exchangeable) T:50-105mm H:50-120mm B:35-75mm	8-35oz (200-1000ml) (mold exchangeable) T:55-115MM H:60-130MM/60-170MM B:55-80MM
Air supply requirement	Air pressure: 0.4Mpa, Air Out-put: 0.6cbm/min	Air pressure: 0.2Mpa, Air input: 0.4cbm/min	Air pressure: 0.4Mpa, Air input: 0.6cbm/min
Paper specification	170-350 GSM single/double PE coated paper	150-350 Single /Double PE coated paper	240-300 GSM one-side PE coated paper
Production capacity	45-60 pcs/min	40-65pcs/min	40-50 pcs/min
Voltage	220V/380V 50Hz	220V/380V	220V/380V 50Hz
Total Power	7KW	3.5KW	2.5KW
Total Weight	3000KG	1500KG	1000KG
Dimensions	2800mmx1200mmx1700mm	2800mm x 1400mm x 1700mm	2500mmx1200mmx1500mm



**APOLO**<sup>®</sup>  
Sistemas Gráficos

www.apolo.com.br  
(11) 3164-9400

